

Parameters

| Electrical Parameters: | |
|-------------------------------|------------------------------|
| Buspro power supply | DC18-30V |
| Buspro power consumption | 20mA/DC24V |
| PIR sensing range in diameter | 6m (Installation Height: 3m) |
| Range for LUX Sensor | 0-500lux |
| Environmental Conditions: | |
| Working temperature | -5°C~45°C |
| Working relative humidity | Up to 90% |
| Storage temperature | -20°C~+60°C |
| Storage relative humidity | Up to 93% |
| Approved: | |
| CE | |
| RoHS | |
| Product Information: | |
| Dimensions | 63(Diameter)×46.6(mm) |
| Net weight | 91(g) |
| Housing material | Infrared lens, ABS |
| Installation | Ceiling mounted |
| Protection rating | IP20 |

Important Notes

- Installation location — If using PIR function in door, please keep it away from AC outlets and heat source
- Buspro cable — HDL Buspro/KNX Cable, 0.8mm single-core copper cable
- Buspro connection — Series connection (hand-in-hand)
- Installation — Screw or spring installation

HDL Buspro Cable Guide

| CAT5/CAT5E | HDL Buspro | HDL Buspro/KNX |
|--------------------------|------------|----------------|
| Brown/Orange | DC24V | Red |
| Brown white/Orange white | COM | Black |
| Blue white/Green white | DATA- | White |
| Blue/Green | DATA+ | Yellow |

Overview

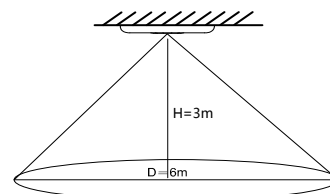


HDL-MSP02.4C ceiling mounted PIR sensor, includes PIR motion sensor, LUX sensor, logic block. The logic block can combine all of sensor for different application, Support HDL security mode and command.

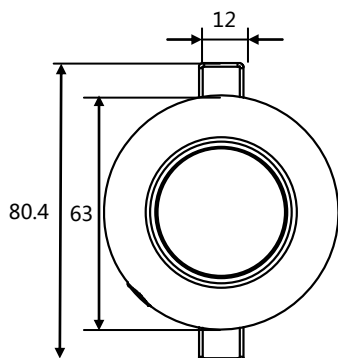
Functions

- Equipped with brightness sensor, PIR sensor and universal switch which can be used as logic conditions.
- 2 Logic relations: OR, AND.
- 24 Logic Blocks function, up to 20 control targets in each logic block.
- Sensitivity adjustable, range from 1 to 10.
- Universal switch number were assigned to 201-248 in logic conditions, 2 switch numbers for each logic, universal switch has auto-off function (from 1 to 3600 seconds).
- Logic can trigger the control target no matter it's valid or not.
- Security function, need to be used with the security module.
- Supports upgrade from HDL Buspro.

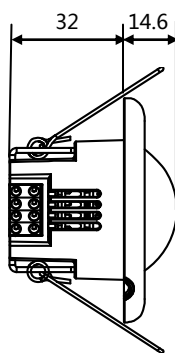
PIR Sensing range in diameter



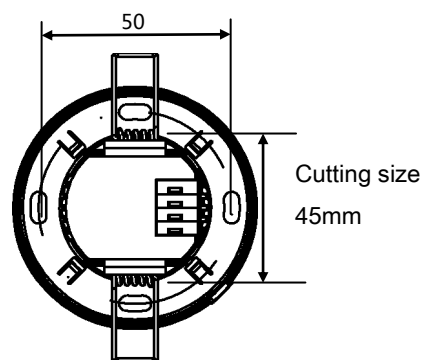
Dimensions and Wiring



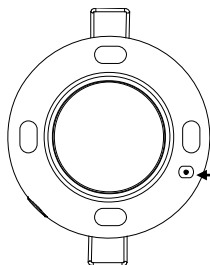
Front view



Side view



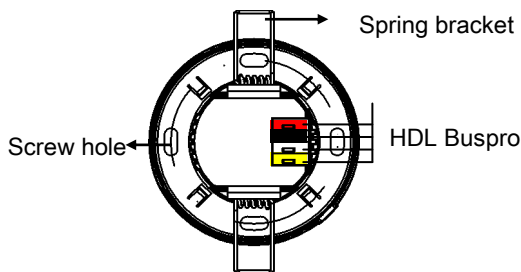
Back view



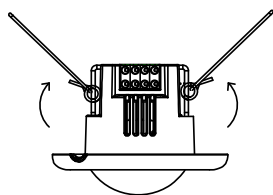
Interior design

Indicator for module: Keep pressing it for 3 seconds, can modify the address of the module in HDL Buspro Pro Set Up Software.

Indication: Can set to indicate the LED or not. If yes, when detecting some movement, the LED will turn on during this process; if not, whether there is movement or not, it always keeps off.



Spring bracket installation: it is used to install the sensor into thin ceiling, wooden boards etc., make a round hole with diameter of 45mm, then get fasten it the spring bracket.



Spring bracket installation

Screw installation: it is used to install the sensor into special back box, thick wall or wooden ceiling that cannot use spring bracket. You must remove the spring bracket when install the sensor by screw.

Safety Precautions



- The screw down strength should not exceed 0.1Nm.
- Do not make wrong connection on Buspro interface, it will damage the Buspro interface of this module.
- Do not get AC power into Buspro wire, it will damage all of devices in the system.
- Avoid contact with liquids and corrosive gases.

Package contents

- Datasheet ×1/ Ceiling Mounted PIR Sensor (HDL-MSP02.4C) ×1/ Bus terminal ×1

